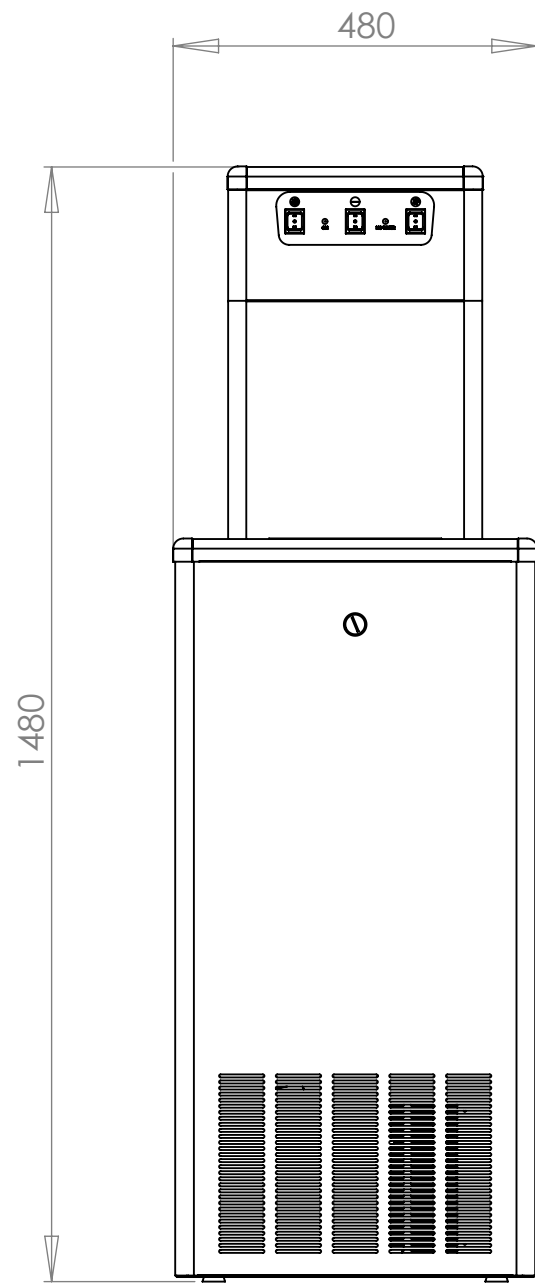
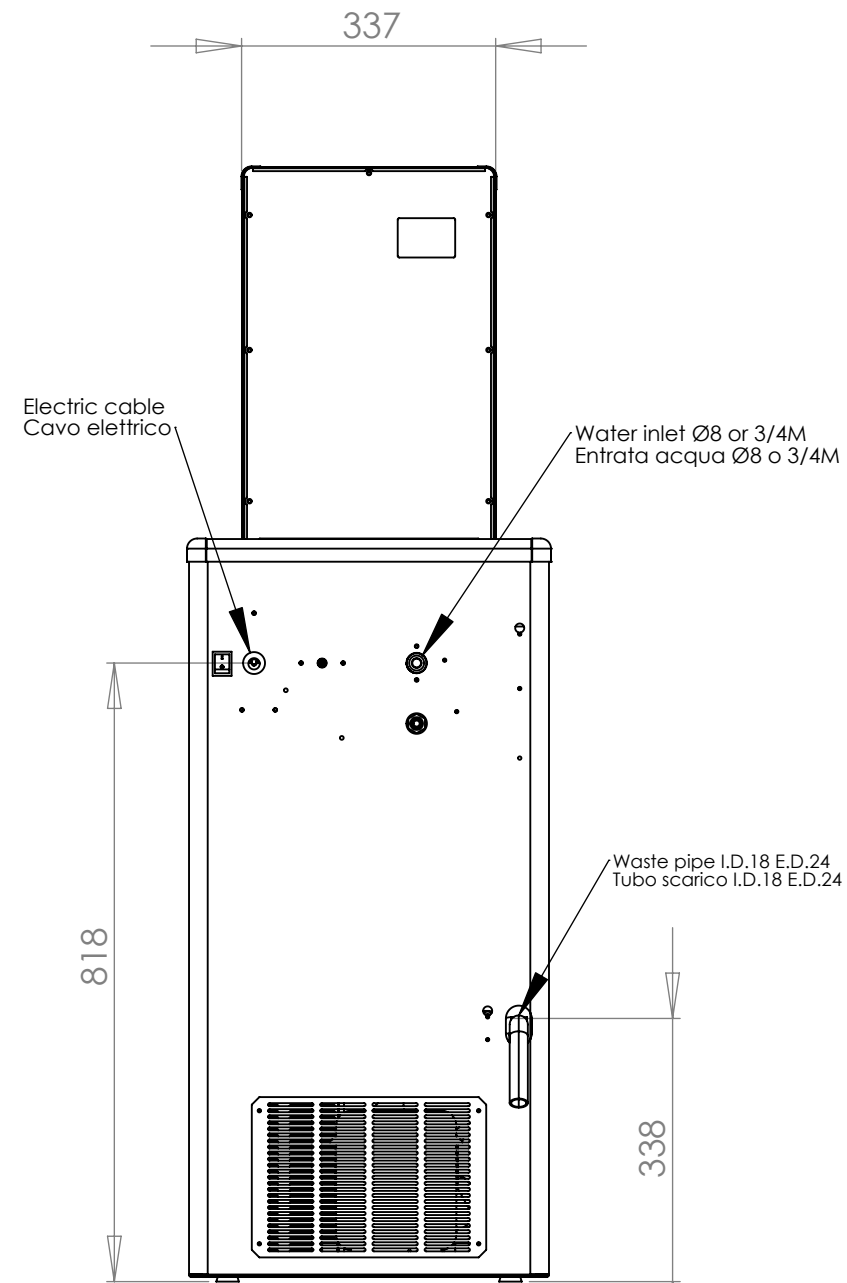
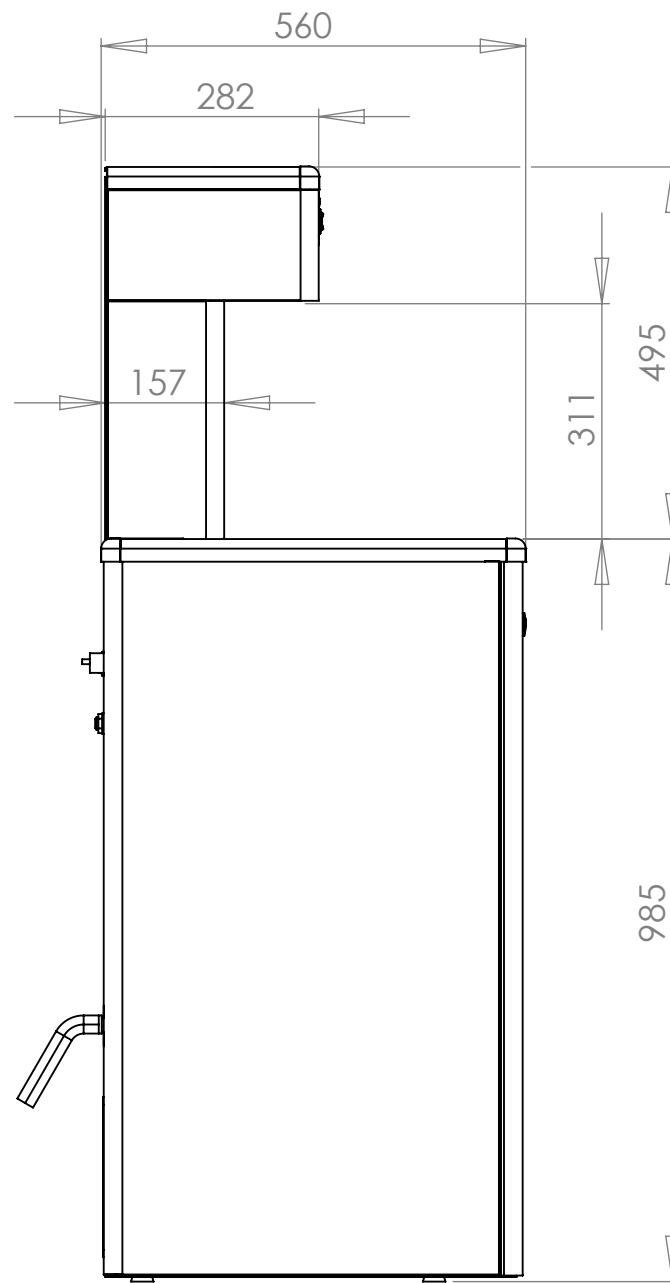


Dimensions are in mm



FRONT



REAR

# COSMETAL Niagara SL WG V09

Pack dim : 59 x 64 x 170 (cm)

29 Lug 2009