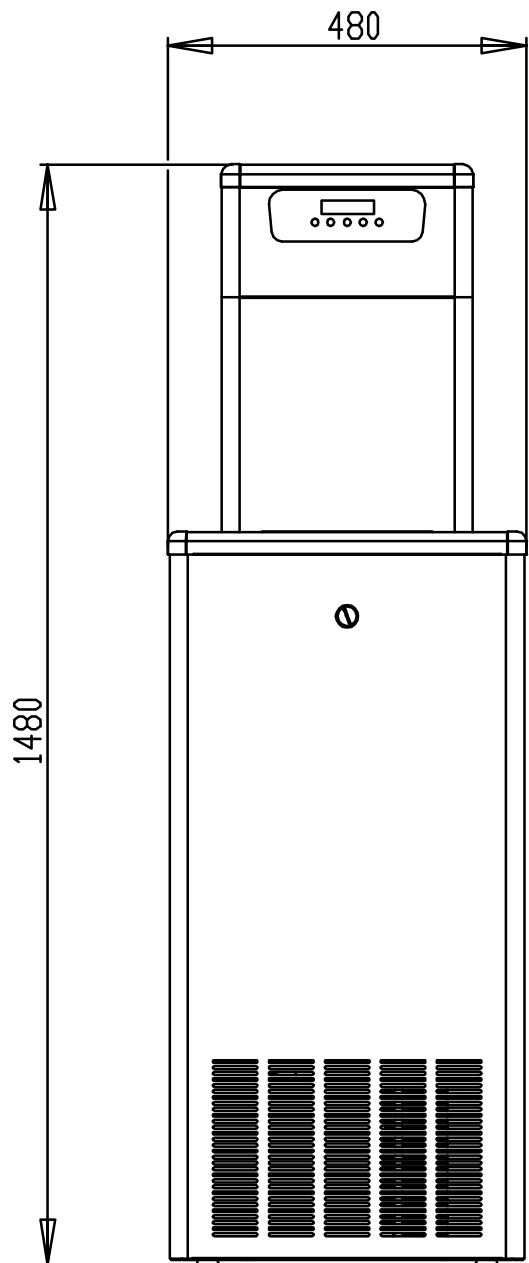
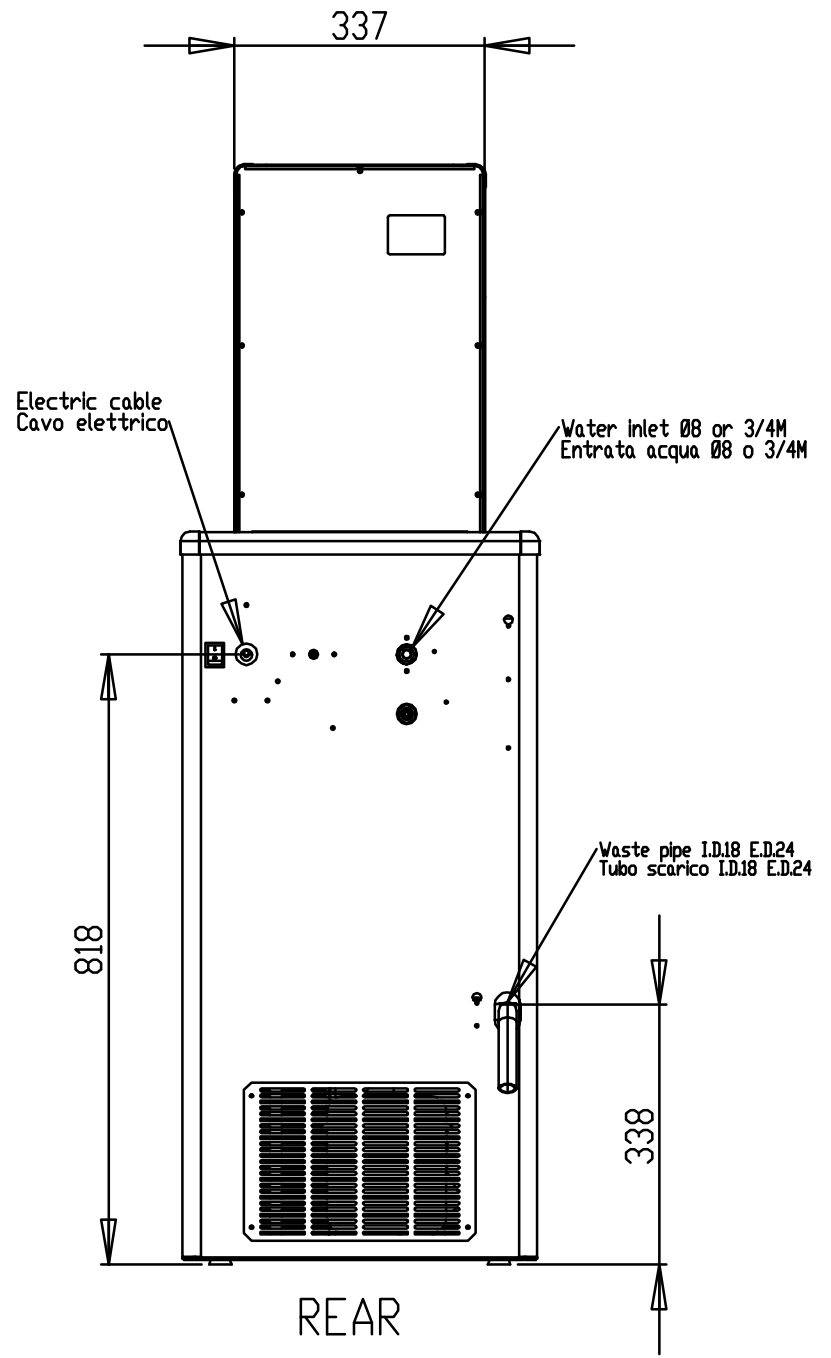
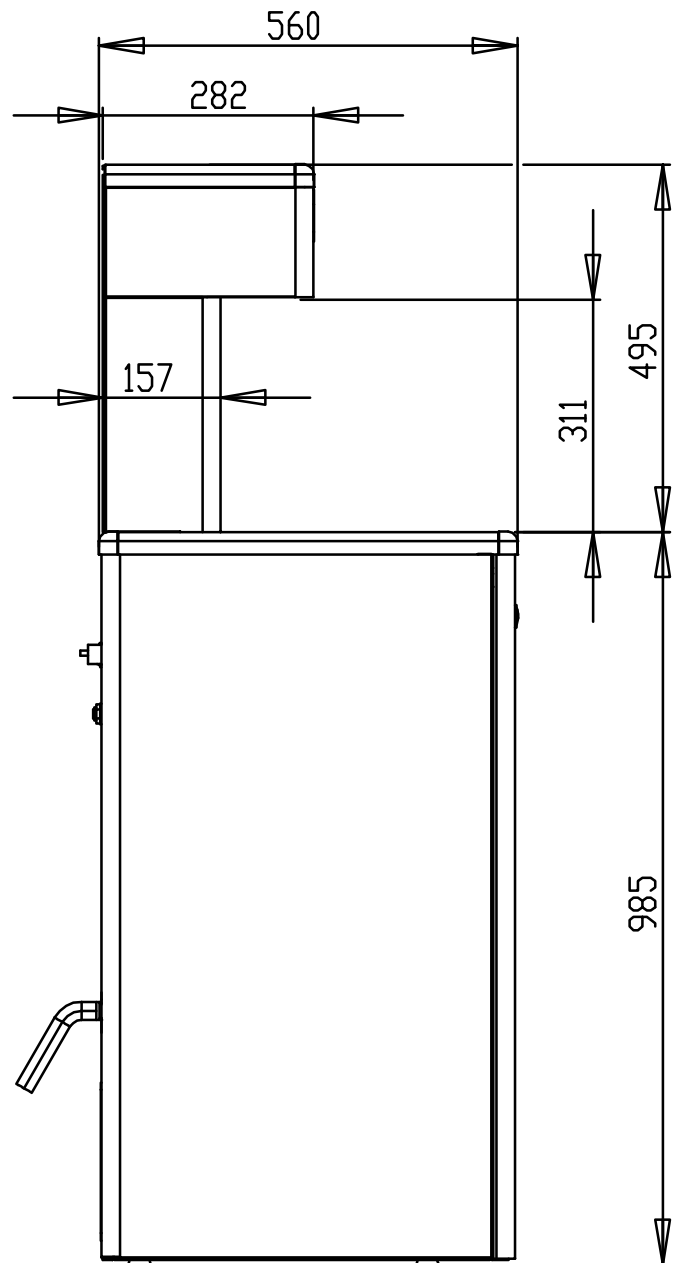


Dimensions are in mm



FRONT



REAR

COSMETAL Niagara SL WG EC V09

Pack dim : 59 x 64 x 170 (cm)

29 Lug 2009