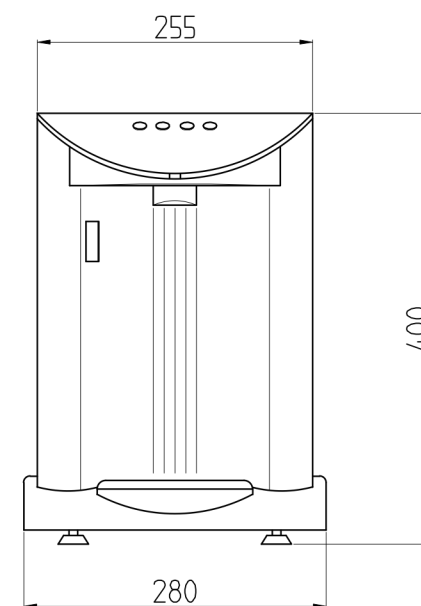


Entrata acqua Ø8mm o 3/4M
Water inlet Ø8mm or 3/4M



J-Class 30/45 EC (V09)